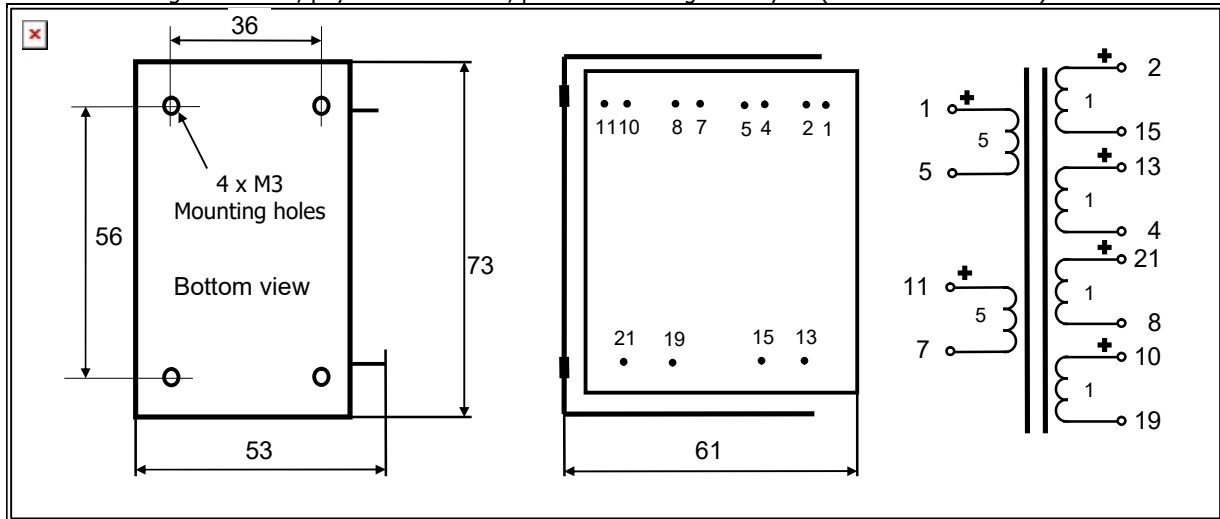


## Loudspeaker Transformer LL3738

LL3738 is a low impedance loudspeaker transformer, designed for matching very low impedance loudspeaker elements (such as ribbon elements) to "normal" amplifiers. In this application the transformer is most often used as an autoformer, but LL3738 can also be used as a full transformer.

The C core is a high-quality grain-oriented silicon steel C-core from our own production.

Winding schematics, physical dimensions, pin and mounting hole layout (all dimensions in mm)



Weight	Turns ratio	Static resistance, Winding "5"	Static resistance, winding "1"
0.75 Kg	5+5 : 1+1+1+1	0.2 Ω	0.025 Ω

Max input signal across one primary ("5") winding at 50Hz:

12.5V RMS

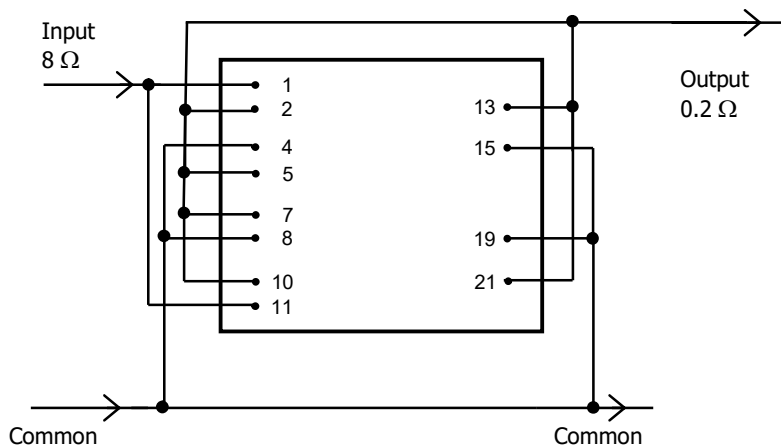
Approx. inductance, one primary ("5") winding:

0.15H

Isolation between primary and secondary windings / between windings and core:

4 kV / 2 kV

Autoformer 6:1  
For 8Ω : 0.2Ω  
Max input voltage at 20 Hz: 6V



R250401 PL