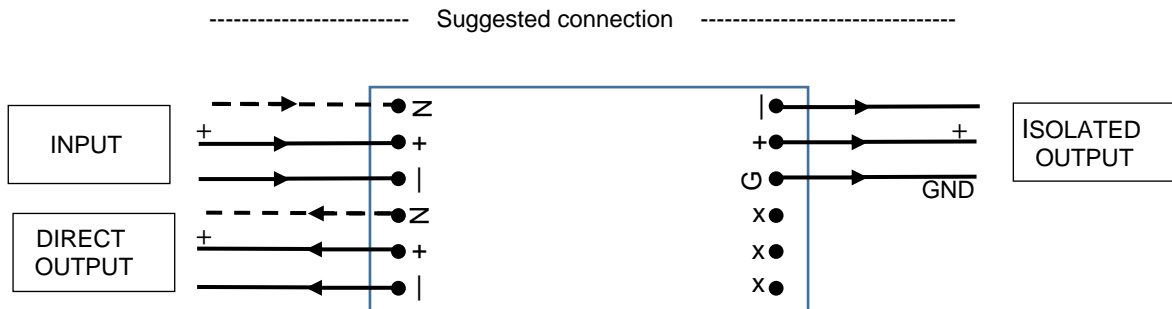
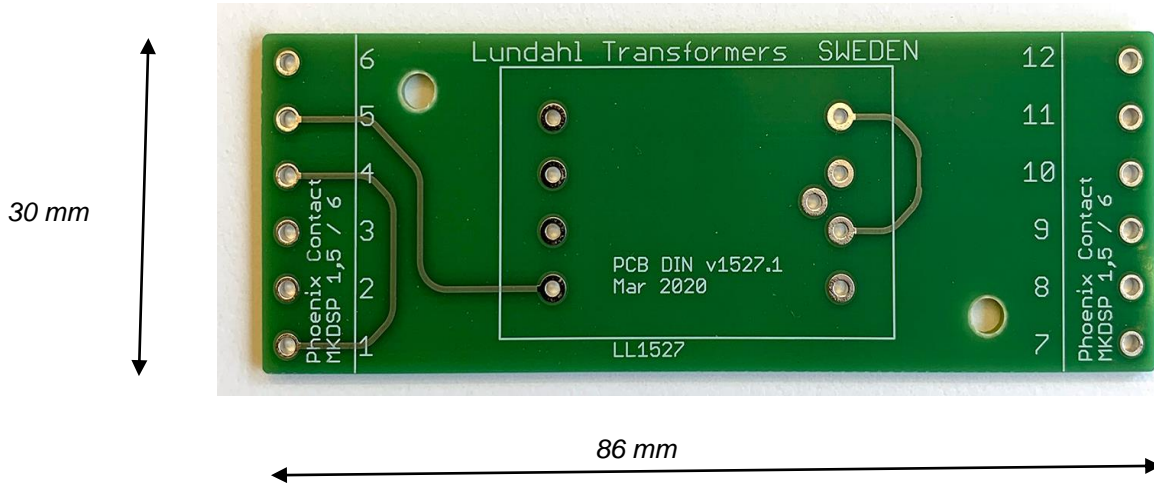
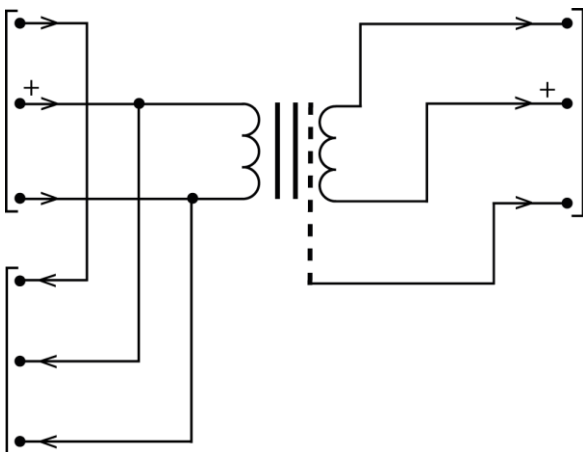


DIN-PCB-1527

Our new DIN-PCB was designed for LL1527 in a 1:1 configuration, but can be used with a couple of other of our transformer types with identical pin-out. The PCB will fit in a DIN housing, but can also be mounted externally using the two 3.2mm holes.



----- Technical details -----



Suitable transformers and possible usage

Transformer	Turns ratio and application
LL1527, LL1527XL	1:1 , 1 : 1 direct + 1 isolated
LL1591	1:1 galvanic isolation
LL1540	1:1 high level line input
LL1528	1:2.5 mic stepup
LL1530	1:3.5 mic stepup
LL1530	

R201106 PL

