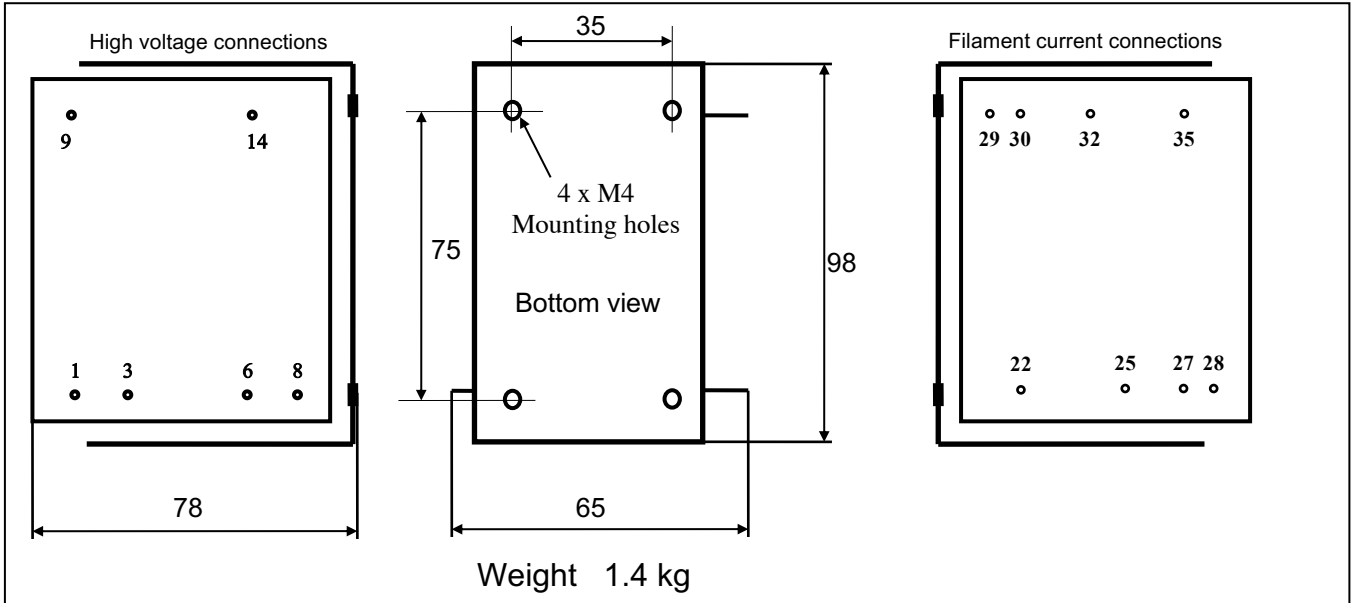


Mains Transformers LL2787

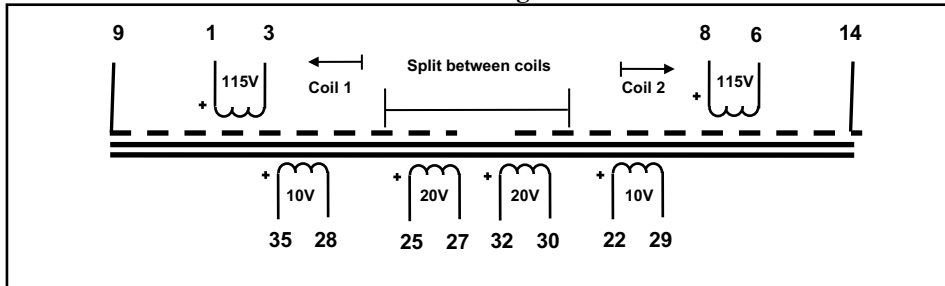
115V + 115V : 20 + 20 + 10 V with Faraday shields between primary and secondary windings

C-core mains transformer, assembled with a small core air-gap to compensate for any mains DC-unbalance. Designed to operate at approx. 1 T core magnetization. Estimated power rating 50 VA. For load symmetry the 2 x 20V secondaries are internally divided between the two coils. The 10V windngs should be connected in series or in parallel for the same reason.

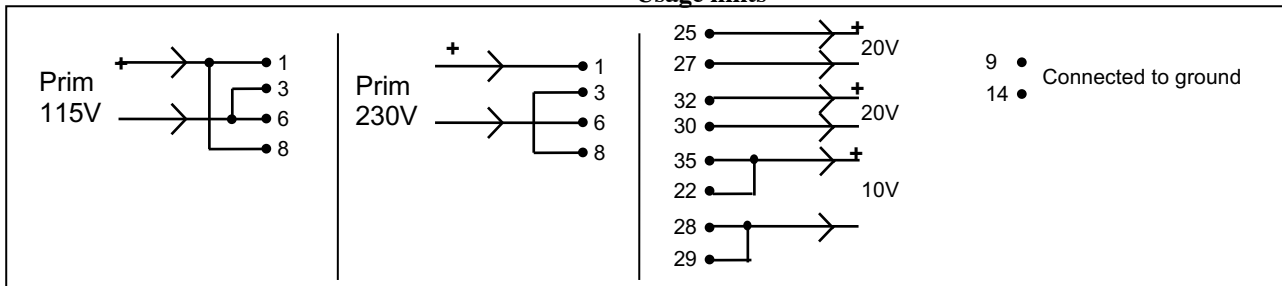
Physical dimensions, pin and mounting hole layout (all dimensions in mm)



Winding schematics:



Usage hints



Output voltage (rms) at indicated load current, and coil resistance.

Primary connected to 230 V series / 115V parallel

Primary res. Series/parallel	Sec 1 Pins 25 – 27	Sec 2 Pins 32-30	Sec 3 Pins 35-22	Sec 4 Pins 28-29
230V/115V	20V / 1A	20V / 1A	10V / 0.5A	10 V / 0.5A
50Ω / 12Ω	1.6Ω	1.6Ω	1.6Ω	1.6Ω