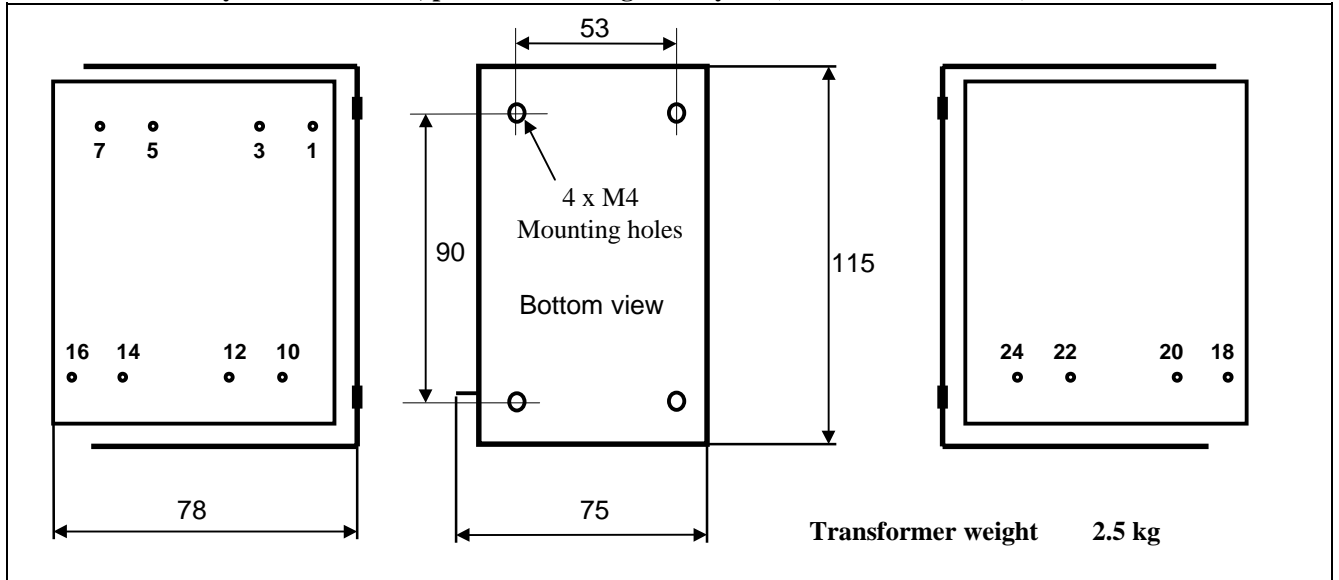


## Mains Isolation Transformer with Stepup Windings LL1662

LL1662 is a C-core mains transformer for isolation and DC current elimination. The core is assembled with a carefully selected, very small air-gap to compensate for any mains DC-unbalance. Additional two windings of 10V each are provided to compensate for voltage drop and low mains voltage. Estimated power rating 300 VA, which can be increased with good cooling.

Physical dimensions, pin and mounting hole layout (all dimensions in mm)

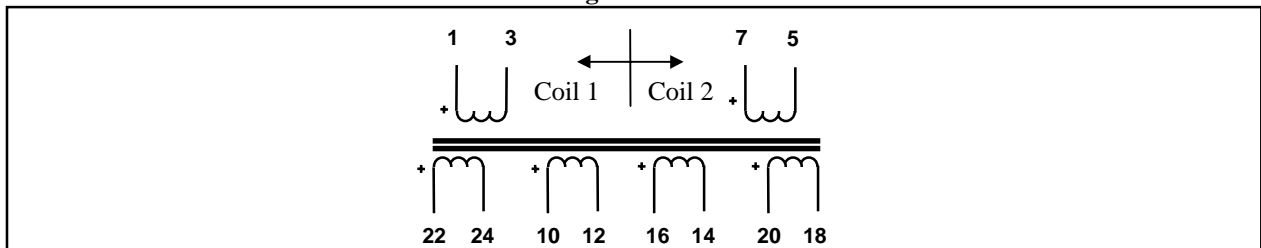


	Copper resistance	Voltage at 50 Hz
Windings 1 - 3 and 7 - 5 respectively	3.3 Ω	115V
Windings 10 - 12 and 14 - 16 respectively	2.9 Ω	115V
Windings 18 - 20 and 22 - 24 respectively	0.3 Ω	10V

Isolation between windings / between windings and core

4 kV / 4 kV

Winding schematics:



Usage:

